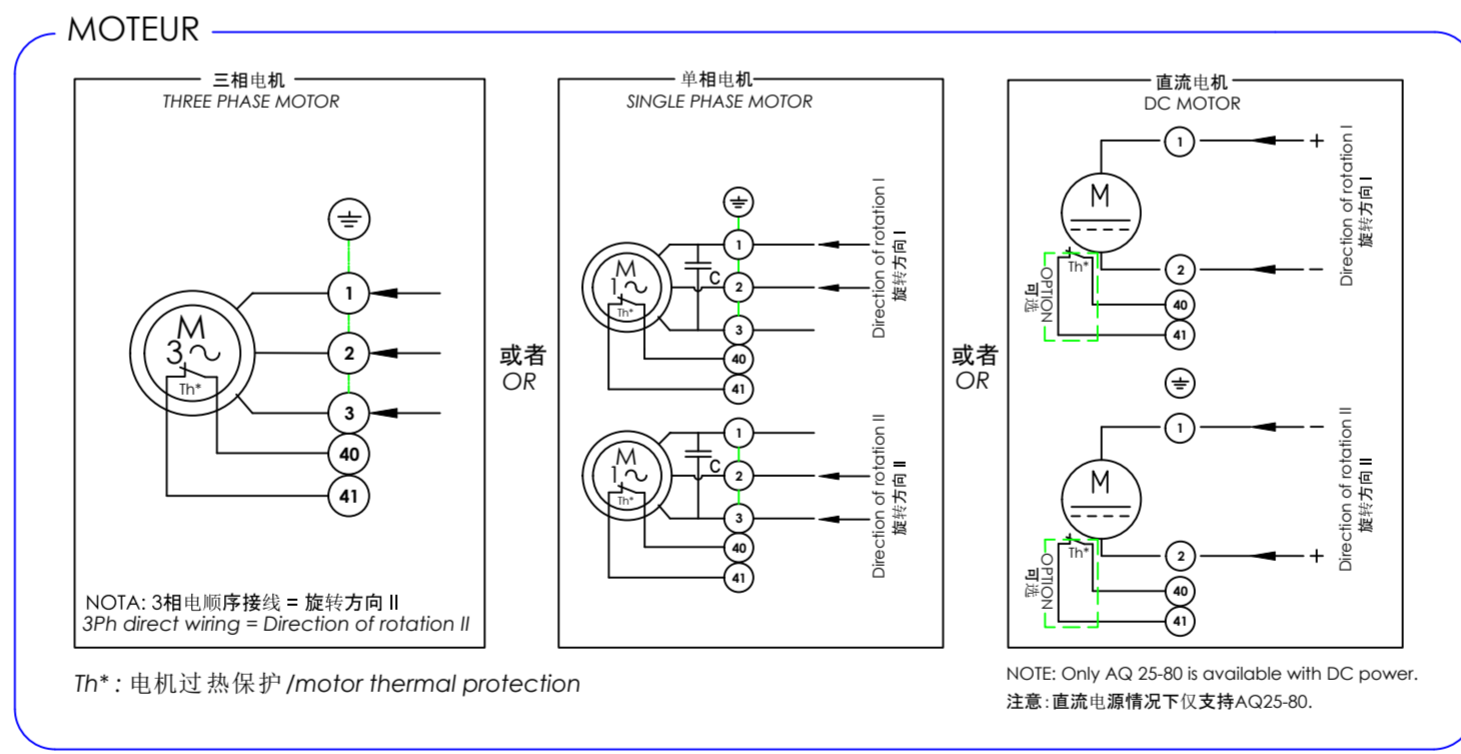


图例 / Legend

Direction of rotation 旋转方向

I) anticlockwise (normally opening) I) 逆时针 (通常为开方向)

II) Clockwise (Normally closing) II) 顺时针 (通常为关方向)



BERNARD CONTROLS

4 rue d'Arsonval BP 91
95505 GONESSE CEDEX
TEL. +33 (0)1 34 07 71 00
FAX. +33 (0)1 34 07 71 01
www.bernardcontrols.com

此图纸为本公司所有, 未经许可不得复制或传播。
This drawing is our property and may not be reproduced or communicated without our written authorization.

AT/AQ25-100 单相/三相/直流电 开关型
1PH/3PH/DC AT/AQ-25 to 100 SWITCH

6 行程限位开关, 2 力矩限位开关, 加热器
6 Travel Limit Switches, 2 Torque Limit Switches, Heater

项目/Project:		分析/Study: DE_25284		变更/Modification:	
设计人: Designed by: NCA 27/11/25	审核人: Checked by: C.ZHAO 27/11/25	批准/Approved PROTO ->	批准/Approved PROD ->	批准/Approved RCO 03/12/25	WD_500506_EN_ZH
				页码/Sheet: 1/1	版本/Rev.: A