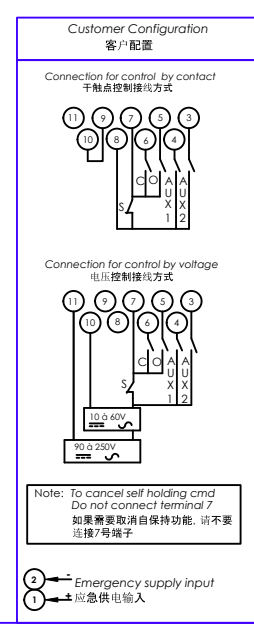


Customer Terminals
客户接线端子



图例说明 / Legend

Aux1	Configurable command	R1	Valve open
Aux2	Configurable command	R2	Valve closed
C	Closing command	R3	Configurable relay
O	Opening command	RD	Fault relay
S	Stop	terminal 26-28 closed=	actuator available
TH	Thermal protection	26-28接线端子位	故障继电器可用

The phase sequency is not important
If one phase is missing, the actuator will not start
and sends an alarm (Fault relay).
相位顺序不重要
如果缺失某一相位, 执行器不会启动并发出警告信号(故障继电器)。

See customer configuration
参见客户配置

See Sheet 2
参见第2页

4 rue d'Arsonval BP 91
95505 GONESSE CEDEX
TEL: +33 (0)1 34 07 71 00
FAX: +33 (0)1 34 07 71 01
www.bernardcontrols.com

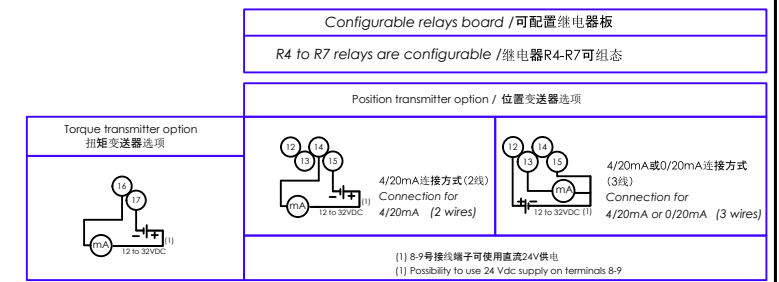
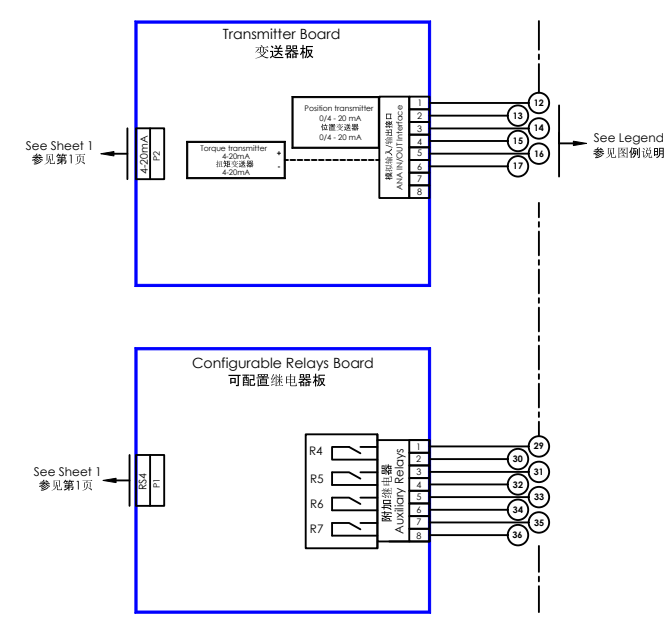
AT/AQ25-250 三相电 逻辑型
THREE PHASE AT/AQ-25 to 250 LOGIC

变送器, 4继电器
Transmitter, R54

WD_630027_00_EN_ZH

Destiné par: Designed by: NCA 01/09/21	Vérifié par: Checked by: F.Hen 01/09/21	Validé par: Validated by: D.Schweibel 12/11/18	Approuvé/Approved PROD ->	Approuvé/Approved PROD D.Schweibel 02/09/21
---	--	---	---------------------------------	--

Customer terminals
客户接线端子



4 rue d'Arsonval BP 91
95505 GONESSE CEDEX
TEL: +33 (0)1 34 07 71 00
FAX: +33 (0)1 34 07 71 01
www.bernardcontrols.com

AT/AQ25-250 三相电 逻辑型
THREE PHASE AT/AQ-25 to 250 LOGIC

变送器, 4继电器
Transmitter, R54

WD_630027_00_EN_ZH

Destiné par: Designed by: NCA 01/09/21	Vérifié par: Checked by: F.Hen 01/09/21	Validé par: Validated by: D.Schweibel 12/11/18	Approuvé/Approved PROD ->	Approuvé/Approved PROD D.Schweibel 02/09/21
---	--	---	---------------------------------	--