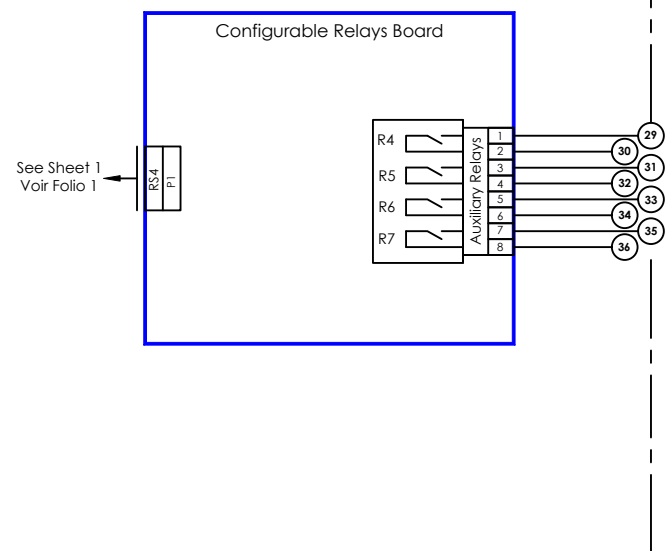


Customer terminals  
Bornes client



Configurable relays board / Carte relais configurable

R4 to R7 relays are configurable / Les relais R4 à R7 sont configurables



4 rue d'Arsonval BP 91  
95505 GONESSE CEDEX  
TEL. +33 (0)1 34 07 71 00  
FAX. +33 (0)1 34 07 71 01  
www.bernardcontrols.com

Ce plan émane de notre propriété. Il ne peut être reproduit ou communiqué sans notre autorisation écrite.  
This drawing is our property and may not be reproduced or communicated without our written authorization.

AT/AQ-25 à 250 TRIPHASEE LOGIC  
THREE PHASE AT/AQ-25 to 250 LOGIC

RS4  
RS4

Projet/Project: PBCD116010		Etude/Study:		Modification: DM_18389	
Dessiné par: Designed by: G.Hou 09/11/2018	Vérifié par: Checked by: H.Delacoux 12/11/2018	Validé par: Validated by: D.Schweibel 12/11/18	Approuvé/Approved PRO/D -> ->	Approuvé/Approved PRO/D A.Le Gall 05/12/2018	Ind./Rev.: E

WD\_630029\_FREN

Planche/Sheet:

